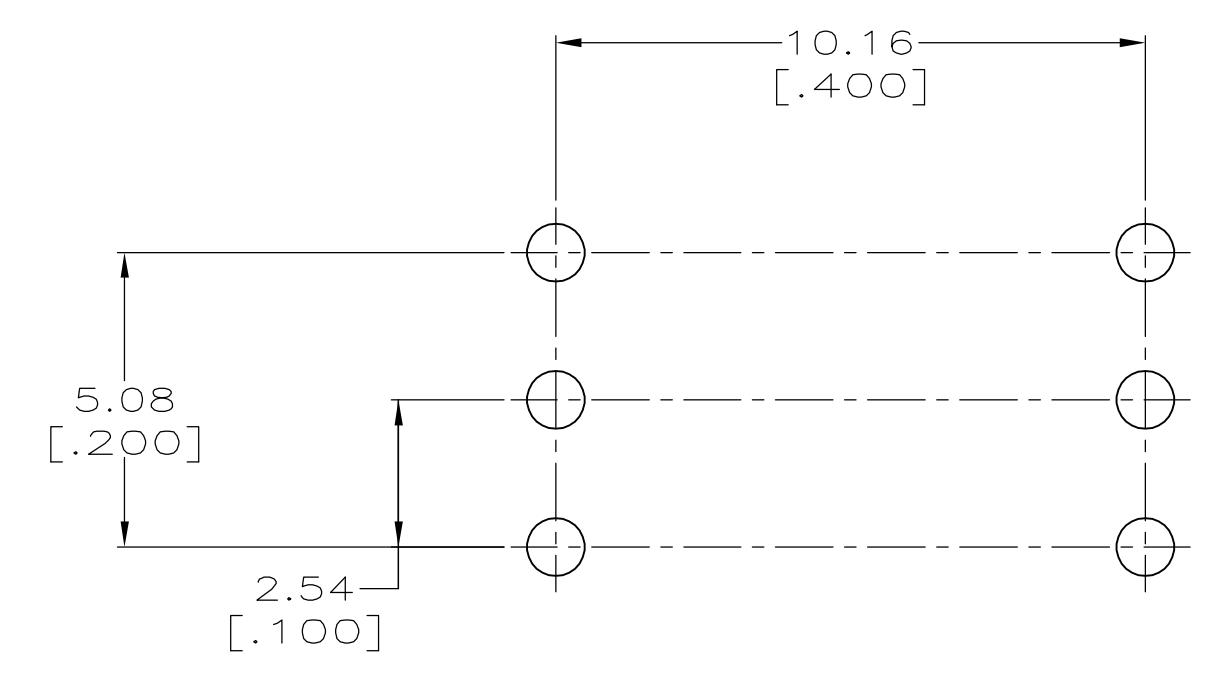
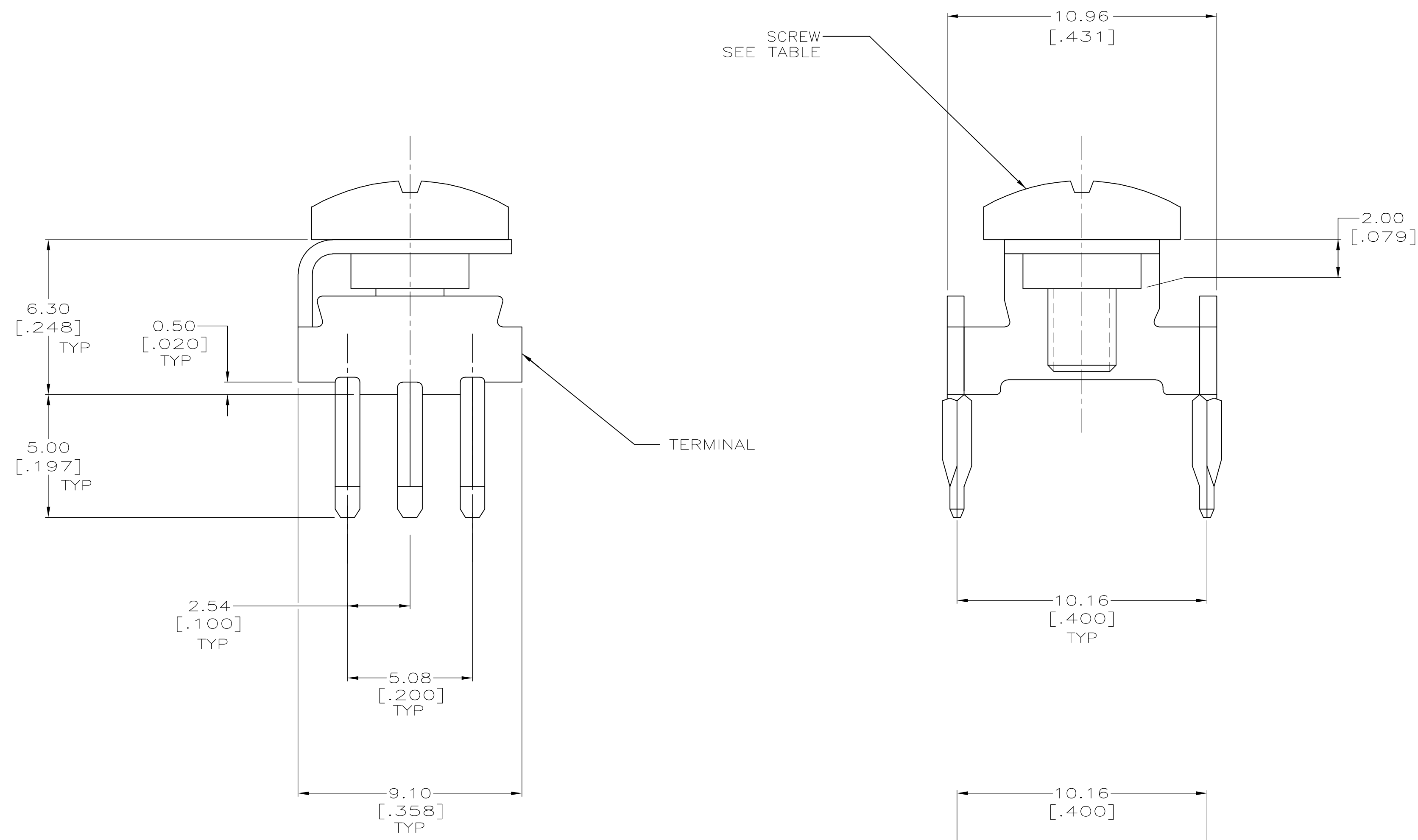


- ① TERMINAL: PHOSPHOR BRONZE; SCREW: STAINLESS STEEL.
- ② TERMINAL: 2.54μm[.000100] MIN MATTE TIN OVER 1.25μm[.000050] MIN NICKEL.
- ③ SCREW: PASSIVATED.



PLATED THROUGH HOLE SPECIFICATION	
DRILLED HOLE	1.6±0.025
Cu- THICKNESS	25-75 μm
Sn-THICKNESS	4-10 μm
FINISHED HOLE	1.39-1.54
FINISHED HOLE (AFTER REFLOW)	1.36-1.54

THIS DRAWING IS A CONTROLLED DOCUMENT.	
DIMENSIONS:	mm [INCHES]
TOLERANCES UNLESS OTHERWISE SPECIFIED:	
0 PLC	± -
1 PLC	± -
2 PLC	± 0.13 [005]
3 PLC	± -
4 PLC	± -
ANGLES	± -
MATERIAL	③
FINISH	① ②

DWN J. ALCORTA - DOCK5 05-05-05		CHK A. FRANTUM 05-05-05		APVD S. FLICKINGER 05-05-05		NAME	
Tyco Electronics Corporation				Harrisburg, PA 17105-3608			
PRODUCT SPEC				POWER TAP ASSY, 6 POSN			
APPLICATION SPEC		SIZE		CASE CODE		DRAWING NO	
WEIGHT		A1		00779		C=5213816	
CUSTOMER DRAWING				SCALE		SHEET	
				8:1		1 OF 1	
						REV A	